

PS-R3880

(Lead-free RoHs)

■ Technical Specs

1.5 inch "Whisper" Extended Range Loudspeaker

5-watt, micro, full-range loudspeaker utilizes a large 38 mm diameter voice coil and under hung short coil geometry, foam surround and a neodymium magnet. 82dB sensitivity and 220 Hz to 20 KHz frequency response and 8 ohms impedance.

■ Key features

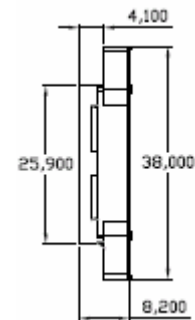
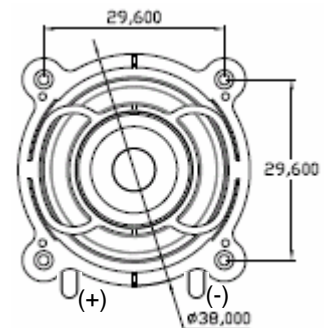
- Wide frequency range
- High output
- Low distortion
- Ultra compact design
- Sound bar
- Flat LCD/LED TVs
- Audio Dock Station
- Embedded Audios
- Handheld Devices

■ Specifications

Nominal Diameter	1.5" (38 mm)
Nominal Impedance	8 Ohms + 15%
Sensitivity, 1w/1m (E)	82 dB @ 1w/1m
Power Capacity, RMS (Pe)	5.0 watt
Power capacity, Peak	10.0 watt
Frequency Range (-10 dB)	110 – 20 KHz
Distortion	5% (max)
Magnet material	Neodymium
Cone Material	Paper
Resonant Frequency (Fo)-Fs	220 Hz



MODEL#: PS-R3880
Size: Ø 38 x 8.2 mm
Weight: 22g



Discover SMFD drivers (Patent no:10-1062039)

SMFD driver structures are lighter and more compact than conventional technologies. Our innovative SMFD driver is an example of how SMFD (Surface Mounted Flat Damper) is utilized to enable a new class of small, powerful drivers that raise the benchmarks of what compact speakers can deliver.

PHILSONIC, INC

30-115, Donong-dong, Namyangju-si, Kyeonggi do, Korea
Tel: 070-7808-8288 www.philsonic.com

NTI COMODO INC (Representative)

RM#302, Kangyong B/D, 3227, Sungnam dong, Cheungwon gu, Sungnam si, Kyeonggi do, Korea Tel: 031-752-4367 www.nticomodo.com

JANUARY-2012